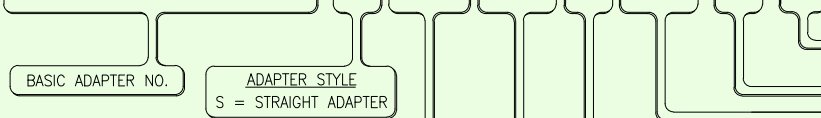


PART NUMBER			
902-150S			
REVISIONS			
LTR	ECO NUMBER	DRAWN	APPROVED
A	22611	SJDC 6/23/16	G.F. 6/23/16

Example Part Number

902-150S2503055 * C



ADD 'C' FOR ADAPTER SUPPLIED WITH SCREW RETENTION CLIPS, OMIT IF NOT REQUIRED. 3

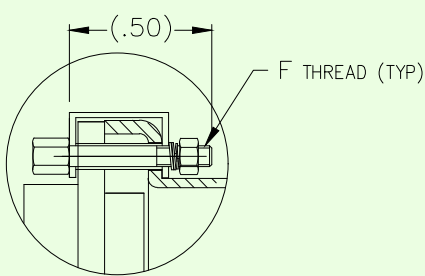
PLATING CODE NUMBER
 CODE 55 - CADMIUM, OLIVE DRAB, PER QQ-P-416, TYPE II, CLASS 3, OVER ELECTROLESS NICKEL PER MIL-C-26074 CLASS 3 OR 4, GRADE B.
 CODE 56 - ELECTROLESS NICKEL, PER MIL-C-26074, CLASS 4, GRADE A.
 FOR ADDITIONAL FINISH OPTIONS, SEE CATALOG TABLE 4.

BAND OPTION
 0 = ADAPTER ONLY
 3 = 1/4" BAND WITH SHRINK SLEEVE (REF 214LF002 & 27-RP)
 4 = 1/4" CBS (REF 214LF002)
 8 = 1/8" MINI (REF 214LF005)
 9 = 1/4" BAND (REF 214LF006)

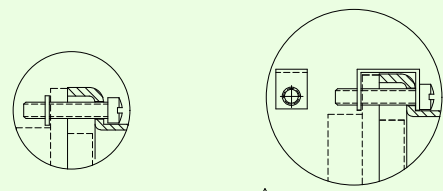
JACKSCREW TYPE
 F = 2 MALE FILLISTER
 H = 2 MALE HEX SOCKET
 J = 2 FEMALE JACKPOST
 OMIT IF JACKSCREWS NOT REQUIRED 3

CONNECTOR ORDER NUMBER						
SHELL SIZE	A ±.010	B ±.010	C ±.010	D ±.010	F UNIFIED THD	MAX ENTRY
0 9	.775	.360	.565	.394	2-56UNC-2A	0 4
1 5	.925	.360	.715	.472	2-56UNC-2A	0 5
2 1	1.075	.360	.865	.551	2-56UNC-2A	0 5
2 5	1.175	.360	.965	.630	2-56UNC-2A	0 6
3 1	1.325	.360	1.115	.669	2-56UNC-2A	0 6
3 7	1.475	.360	1.265	.709	2-56UNC-2A	0 7
5 1	1.425	.400	1.215	.748	2-56UNC-2A	0 8
6 9	1.732	.400	1.515	.787	2-56UNC-2A	0 8
1 0 0	2.160	.450	1.800	.827	4-40UNC-2A	0 9

ENTRY ORDER NUMBER		
ENTRY NO	Z ±.010	Y ±.010
01	.062	.062
02	.125	.125
03	.188	.188
04	.226	.278
05	.226	.428
06	.226	.600
07	.226	.794
08	.266	.900
09	.305	1.026

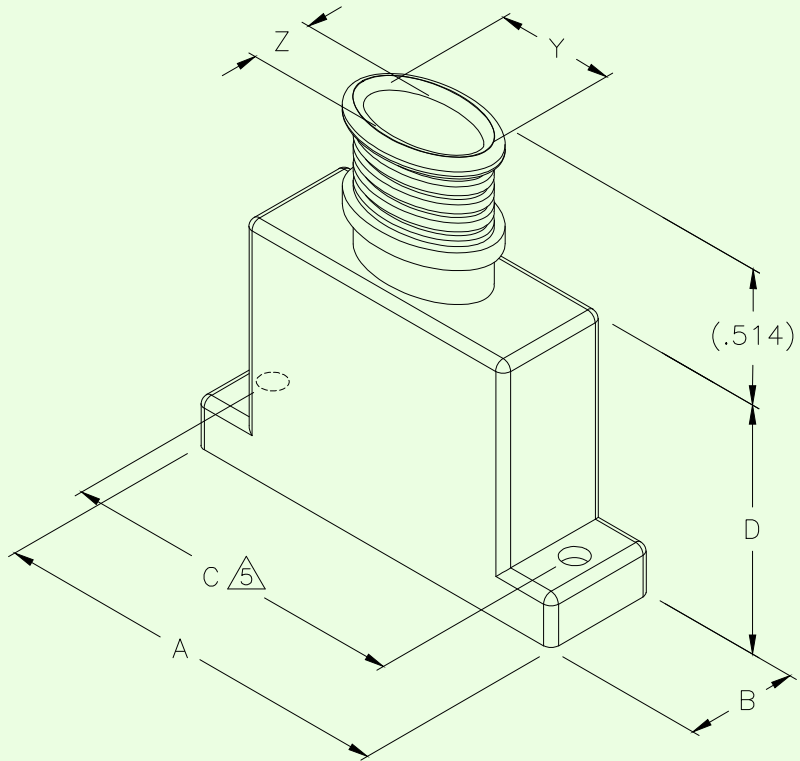


4 FEMALE JACK POST
SEE PART NUMBER



3 NYLON WASHER
SEE PART NUMBER

3 RETENTION CLIP
SEE PART NUMBER



STYLE S
TOP ENTRY

NOTES: UNLESS OTHERWISE SPECIFIED.

- ASSEMBLY IDENTIFICATION PER MIL-STD-1285.
- MATERIAL: ADAPTER - ALUMINUM ALLOY.
HARDWARE & BAND - SST
- SCREWS CAPTIVATED WITH NYLON WASHERS STANDARD, NOT SUPPLIED WITH 'C' OPTION.
- JACK POST SUPPLIED WITH 2 FLAT WASHERS, 1 LOCK WASHER AND 1 HEX NUT.
- DIM IS FROM CENTER TO CENTER OF HOLES

The information disclosed herein is the property of, and a proprietary item originated by ELECTRO ADAPTER, INC., who reserves all patent, proprietary design, use, sale, manufacturing and reproduction rights thereto; except for uses expressly granted to the United States Government and items which are vendor parts, disclosure shall not be made without written consent from ELECTRO ADAPTER, INC.	DRAWN	DATE	ELECTRO ADAPTER, INC. CHATSWORTH, CA. 91311-6189
	SJDC	1/12/15	
	CHKD	DATE	
	G.FISH	1/12/16	DRAWING TITLE
	APVD	DATE	STRAIGHT BACKSHELL, EMI/RFI
	G.FISH	1/12/16	FOR MIL-C-83513 /1, /2, /3 & /4
UNLESS OTHERWISE SPECIFIED DIMENSIONS ARE IN INCHES			CLASS M, MICRO-D,
			MINI BAND SHIELD TERMINATION
TOLERANCES:	ANGLES	DECIMALS	SIZE
	± 2'	.XX = ± .06	A
		.XXX = ± .031	CAGE CODE
			31461
DO NOT SCALE DRAWING	RELEASED	DATE	DRAWING NUMBER
			902-150S
			REV.
			A
			SCALE: NONE
			0\SALES\902\150S
			SHEET 1 OF 1